

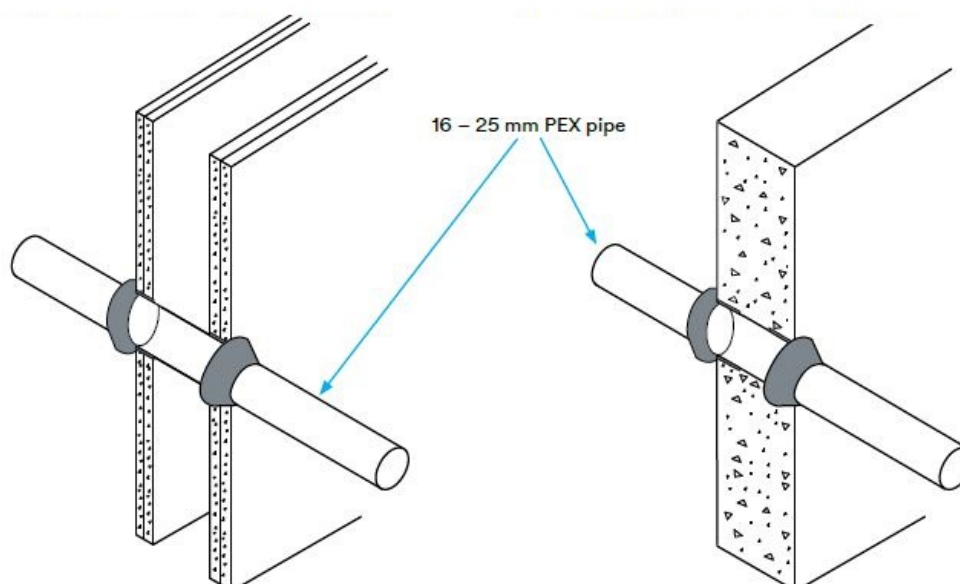
3M™ Fire Protection

Design Specification Sheet : 3000WT PEX

Through Penetration	Construction Type	FRR	Compliance Report
PEX Pipe up to 26mm od	Concrete or Plasterboard wall with min 26mm fireboard each side. Wall cavity insulation optional. 3M PM4 may be used as backer if required.	-/120/120	AS 1530.4 & AS 4072.1 Exova RIR 48815900 & 45239800 FPA Register ID# P47

3M™ Fire Barrier 3000WT Sealant Fire Stopping System

PEX Pipes in Concrete or Plasterboard Lined Walls



Installation

1. PEX Pipe, pipe and aperture sizes as per Table 1. Note pipe may be off-centre touching wall on one side.
2. 3M™ 3000WT Sealant depth minimum 26 mm flush with plasterboard, concrete or masonry for -/120/120.
3. To increase to -/180/120, apply 3000WT around the pipe externally to give a 25 x 25mm sealant fillet both sides.
4. If walls have an FRR less than that of the seal, then FRR of the seal reduced to match FRR of wall, up to -/120/120.
5. Walls with less than 26mm of plasterboard may be patched. Follow GIB guidelines (75mm min from seal edge).

Table 1 - PEX Pipe and Aperture Size for 3M™ 3000WT Sealant

Pipe Outside Diameter	Minimum Aperture Diameter	Maximum Aperture Diameter	Pipe wall Thickness	Annular Gap in mm	FPANZ Register ID#
16, 20 or 26mm	25, 30 or 35mm	35, 40 or 45mm	Up to 2.4, 3.4 or 3.9	0 min, 10 max	P47

3M Australia Pty Ltd
 Industrial Adhesives & Tapes Division
 Bldg A, 1 Rivett Road,
 North Ryde, NSW 2113
 Phone 136 136 (Option 2)
 Email 3mindustriaucs@mmm.com
 Web www.3m.com.au

3M New Zealand Ltd
 Industrial Adhesives and Tapes Division
 94 Apollo Drive, Rosedale
 Auckland 0632
 Phone 0800 474 787
 Email 3mznzib@mmm.com
 Web www.3m.co.nz

User is responsible for determining whether the 3M product is fit for a particular purpose and suitable for user's application. Limitation of Liability. Except where prohibited by law, 3M will not be liable for any loss or damage arising from this 3M product, whether direct, indirect, special, incidental or consequential, regardless of the legal theory asserted, including warranty, contract, negligence or strict liability. 3M and Interam are a trademark of 3M Company.